



9320/K – Pulsante da portachiavi senza fili

1- Safety warning

Warning: Failure to follow the safety guidelines provided below could result in damage to your Wireless Pushbutton or other property. Read all safety information below before using the Wireless Button.

- Avoid high humidity or extreme temperatures;
- Avoid prolonged exposure to sunlight or intense UV light;
- Do not drop or do not subject the unit to strong vibrations;
- Do not disassemble or try to repair the unit;
- Do not bring into contact with flammable liquids, gases and other explosive substances.

2 – Benvenuti

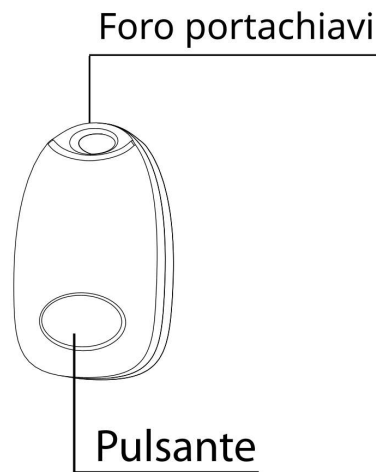
We present your Wireless Button 9320/K.

This button is self-powered by a small piezoelectric circuit and allows you to control the actuators of the FEB Easy series without ever having to worry about changing the batteries.

It is possible to use a single button to control more than one actuator and to use several buttons to control the same actuator.

In this guide you will find an overview of the product and instructions for installation and start-up.

3 - A detailed look at your device



Your wireless pushbutton 9320

- **Button:** the part to press to send a signal
- **Keychain hole:** you can use this hole to hook the button to a keychain or a lanyard

4 - Installation

The 9320/K button does not require installation: it is designed to be always portable, thanks to its small size and the keychain hole.

5 – Start up

- To pair the 9320/K to an actuator, simply press the actuator pairing button for about 3 seconds, until the LED indicator starts flashing, at this point press the 9320K button. Just press once. You will see that the actuator LED will stop flashing, indicating that the two have been paired. It is possible to connect more than one button to the same actuator, up to a maximum of 10 buttons. There are no limits, instead to the number of actuators that can be controlled by the same button, simply repeat the pairing procedure between the button and all the actuators that you want to be controlled by the same button.
- To reset a connection between the actuator and the button, press the actuator pairing button for about 12 seconds. When the button is pressed, the LED indicator will first begin to flash, it will remain lit briefly and then go off. When this sequence is complete and the LED is off, the pairing button can be released and the actuator and all the buttons it was paired with will be disconnected.

6 – Technical Characteristics

Wireless network: RF 433MHz

Operating distance: Indoor \leq 25m / Outdoor \leq 60 m

Operating temperature: -5 - 50°C

Dimensions: 21 x 51.6 x 18.5 mm